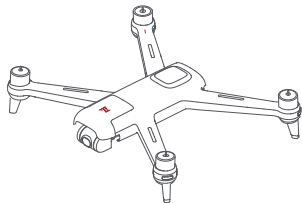




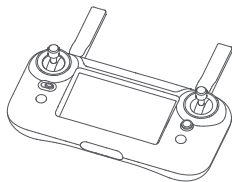
FIMI A3 Drone Quick Start Manual

Please read the quick start manual carefully before using and keep the quick start manual for future reference.

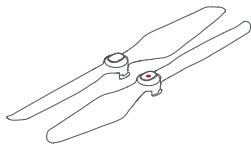
Package List



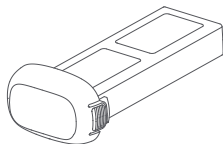
Aircraft x1



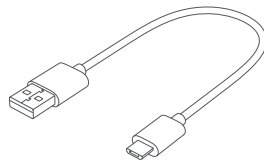
Remote controller x1



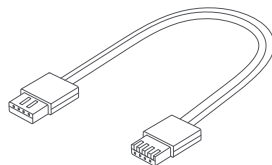
Positive propeller x3
Reverse propeller x3



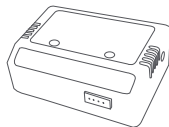
Battery x1



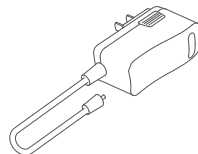
USB cable x1



Charging transfer cable x1



Balance charge x1



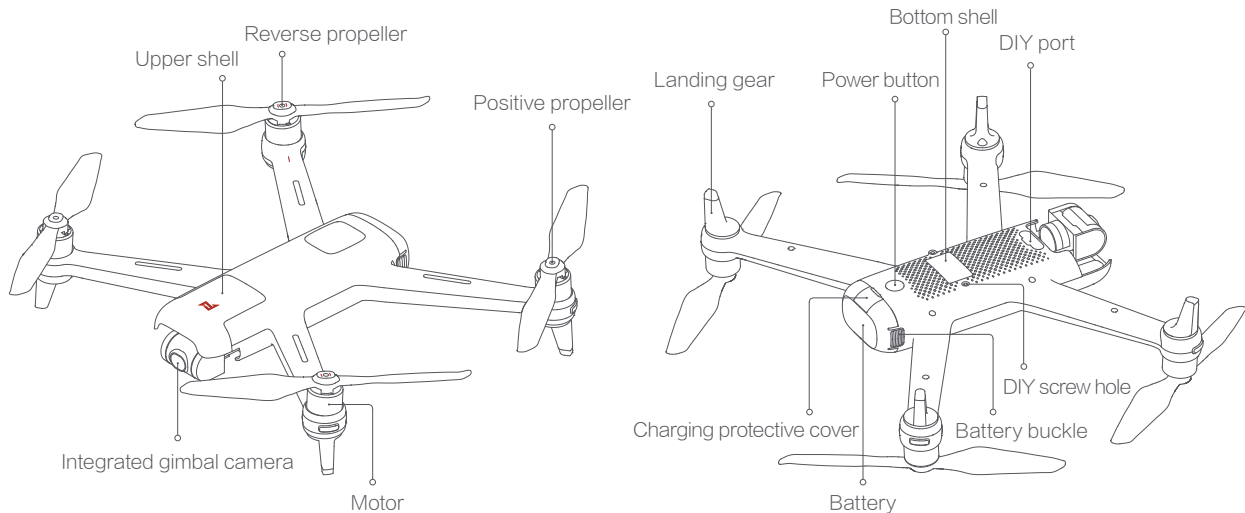
Charger x1



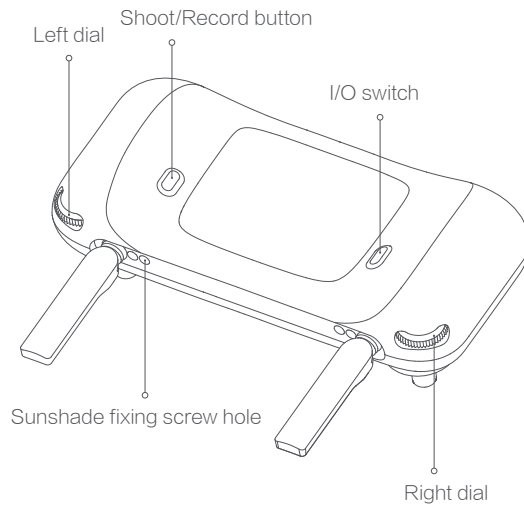
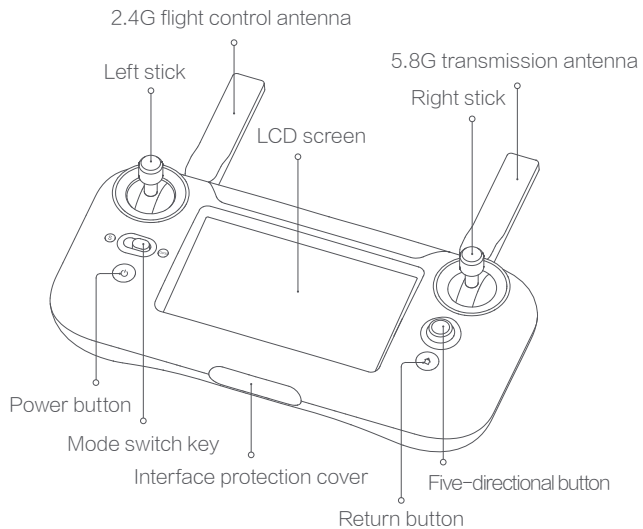
Instruction x2

Product Introduction

1 Aircraft

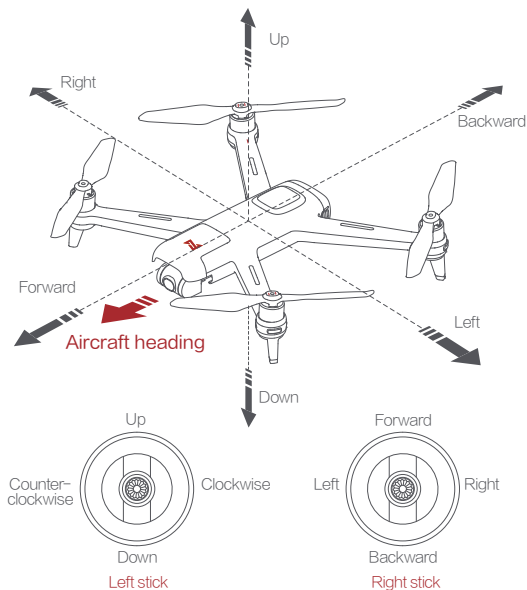


2.1 Remote controller



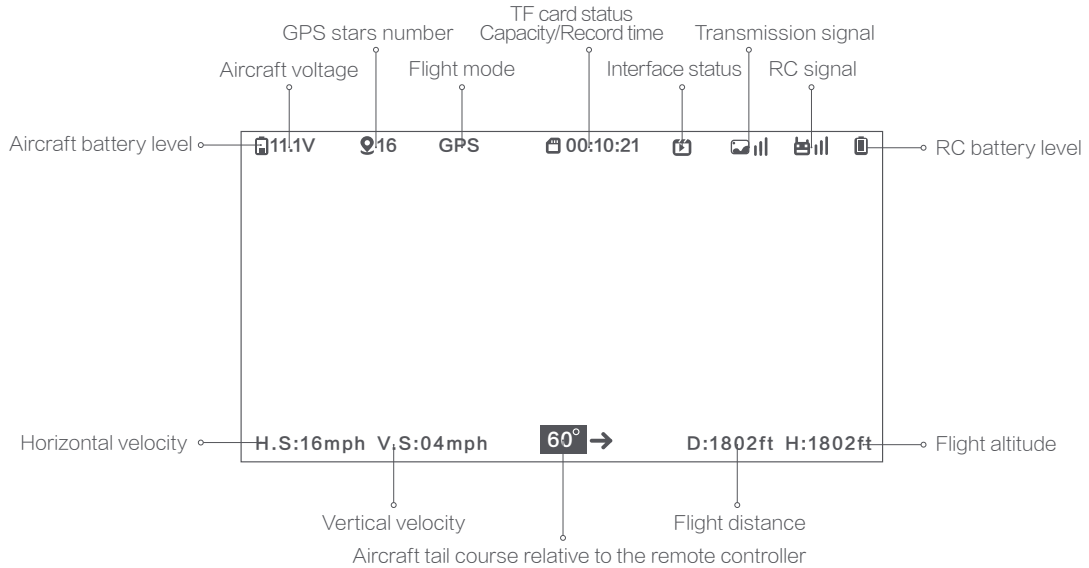
2.2 Buttons function introduction of RC

| | Buttons | Function description | |
|----|-------------------------|---|---|
| 1 | Left stick | Push stick upward, the aircraft goes up; pull stick downward, the aircraft goes down; toggle stick to left, the aircraft rotates counter-clockwise; toggle stick to right, the aircraft rotates clockwise | |
| 2 | Right stick | Push stick upward, the aircraft flies forward; pull stick downward, the aircraft flies backward; toggle stick to left, the aircraft flies to left; toggle stick to right, the aircraft flies to right | |
| 3 | Mode switch key | Toggle to left to switch to sport mode, Toggle to right to switch to standard mode | |
| 4 | Return button | Long press more than 3 seconds can enter auto return / short press to exit auto return | |
| 5 | Power button | Long press to turn on/off | |
| 6 | I/O switch | I/O port control | |
| 7 | Five directional button | Up | Shortcut key: Smart Flight settings |
| | | Down | Shortcut key: Camera parameter settings |
| | | Left | 1.Shortcut key: Enter the settings menu; 2. Return to the last level |
| | | Right | Use for setting menus |
| | | Center | 1.Shortcut key: Recording screen 2. Confirm operation |
| 8 | Left dial | Adjusting the pitch angle of gimbal | |
| 9 | Right dial | By default, EV values are adjusted and PWM is used to provide user DIY. | |
| 10 | Camera/Record button | Short press to take a picture; long press to start/ stop recording | |



Note: The setting of the remote controller stick can be changed in the remote controller settings menu (the default is American hand).

2.3 Main menu of RC



Basic Specification

Aircraft

Product model: FMWRJ01A3
Dimensions: 285 x 229 x 69mm
Diagonal size: 323mm
Takeoff weight: About 560g
Flight time: About 25min*
Max ascending speed: 6m/s
Max descending speed: 5m/s
Max cruising speed: 18m/s
Max Transmission Distance: About 1000m*
Satellite positioning systems: GPS/GLONASS
Hover accuracy: ± 0.5 m (Vertical) , ± 1.5 m (Horizontal)
Operating temperature: 0 ~ 40° C
Suitable altitude: ≤5000m
Memory card type: Micro SD (Class10 above) 8 ~ 64GB
Operating frequency: 2.4-2.483GHz; 5.725-5.850GHz

Power adapter

Rated input: 100-240V ~ 50/60Hz 0.3A
Rated output: 14V == 0.8A
Rated power: 11.2W
Charging ambient temperature: 0° C ~ 40° C

Remarks:

The flight time is tested with constant speed in breeze, the max flight time is 21 mins for the single cell voltage at 4.2V, 25 mins for the single cell voltage at 4.35V, and please use charger supported 4.35V. Please use charger supported 4.35V. Remote control distance reach to 1km (FCC) in open and no electro-magnetic interference area. All above testing and data are come from FIMI laboratory, errors may occur in actual use according to operating environmental changes.

Remote controller

Net weight: About 331g
Screen resolution: 480 x 272
Operating frequency: 2.4-2.483GHz; 5.725-5.850GHz
Type: Rechargeable lithium battery
Capacity: 2950mAh
Input: 5V == 2A
Memory card type: Micro SD (the maximum support 32GB)
Operating temperature: 0 ~ 40° C
Suitable altitude: ≤5000m

Battery

Type: Rechargeable lithium battery
Weight: About 162g
Capacity: 2000mAh
Voltage: 11.1V
Limit voltage: 12.75V
Energy: 22.2Wh
Charging ambient temperature: 0° C ~ 40° C

Gimbal

Controllable rotation range: 0° ~ -90° (Pitch)
Control angle accuracy: ± 0.02°
Lens: FOV80°
Camera aperture: f2.0
Camera focal distance: 3.54mm
Equivalent focal distance: 27mm
Sensor: 1/3.2" CMOS
Effective pixels: 8.08M
ISO range: 100 ~ 3200 (Video) , 100 ~ 1600 (Photo)
Shutter speed: 4 ~ 1/8000s
Max video resolution: 1920 x 1080 | 30fps
1920 x 1080 | 25fps
Max photo resolution: 3264 x 2448
File system: FAT32 / exFAT
Image format: JPG
Video format: MP4

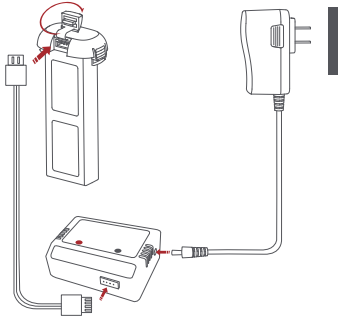
Balance charge

Rated input: 14V == 0.8A
Rated output: 11.1V == 0.8A

Charging

1 Charge aircraft battery

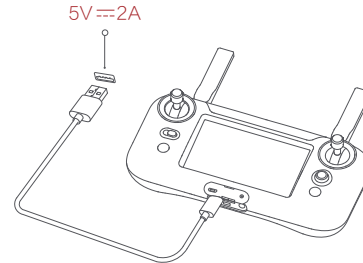
- Connect the battery, the balance charge and power adapter as shown below, and turn on the power supply.
- When charging, the red indicator on the left side of the balance charge is always on.
- After charging completed, the red indicator on the left side of the balance charge goes out.
- It takes about 2.5 hours to fully charge the battery.



Safety tips: please remove the battery from the aircraft to charge.

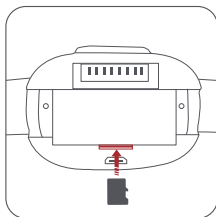
2 Charge RC

- Connect the RC and power adapter as shown below.
- When charging, the battery icon on the main interface of RC flashes.
- After charging completed, the battery icon on the main interface of RC stops flashing.
- It takes about 3.5 hours to fully charge the RC.

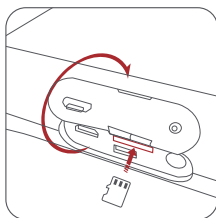


Assembly and Disassembly

1 TF card



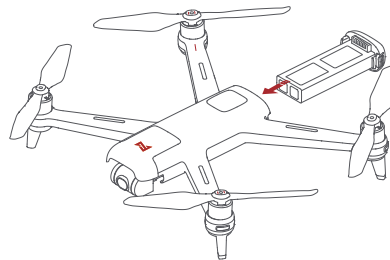
- When installing TF card to the aircraft, please remove the battery first.
- Insert the TF card with the literal upward into the TF card slot.
- When removing TF card, press the TF card to pop out.



- When installing TF card to the RC, please remove the protection cover first.
- Insert the TF card with the literal downward into the TF card slot.
- When removing TF card, press the TF card to pop out.

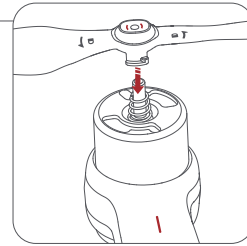
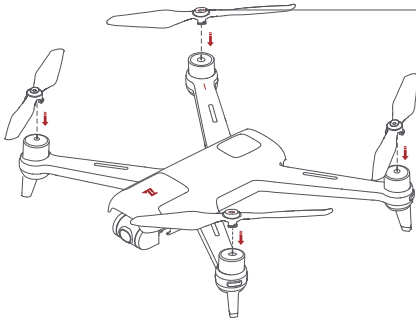
2 Battery

- Push hard the battery, after the battery installed in place, there will be a "click" sound.
- To remove the battery, you need to press the battery buckle on both sides of the battery to pull out the battery.



3 Propellers

- Attach propellers according to color mark on the drone arms.
- Align the propeller against the clamp of the motor shaft and ensure that the propeller is pressed to the root of the motor shaft.
- Rotate the propeller to the end in the direction of the lock mark, and the propeller will bounce and lock.
- Press the propeller forcefully and rotate the propeller along the opposite direction of the lock mark to remove the propeller.



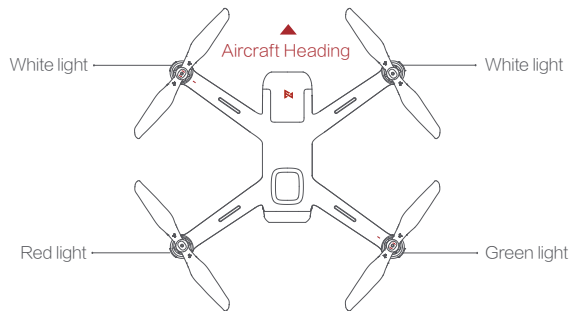
Note: Take the installation of reverse propeller as an example.

Safety tips: If propellers are damaged, please replace them to ensure flight safety and efficiency. Please make sure propellers are well mounted before flight.

Prepare to Fly

1 Confirm the aircraft heading

- The installation position of the aircraft battery is the tail direction.
- Once the aircraft is turned on, the heading can be told by navigation lights.
- Two white lights indicate the nose, and red & green lights indicate the tail.



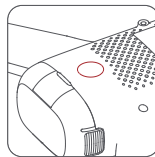
Safety tips: Always keep the tail pointed at the user to avoid direction misjudge.

2 Turning on and off the aircraft

- Short press + long press the power button until the aircraft indicator lights are on, meaning turned on.
- Short press + long press the power button until the aircraft indicator lights are off, meaning turned off.

3 Turning on and off the RC

- Long press the power button to turn on / off the RC.



Aircraft



Remote controller

Take Off

1 Auto take off / landing (Select it at the RC menu)



Auto take off

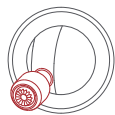


Auto landing

2 Manual take off / landing



Left stick



Right stick



Left stick



Right stick

- Keep both sticks to the bottom inner still over 1 second, the propellers start spinning.
- Release both sticks once propellers have been spinning, and firmly push the left stick upward to fly the aircraft.
- During flight, release both sticks to hover.
- At any time during controlled flight, release the two levers of the remote controller and the aircraft will hover automatically.

Safety tips: Push the left stick up firmly. The aircraft may roll over if you push too slowly.



Left stick



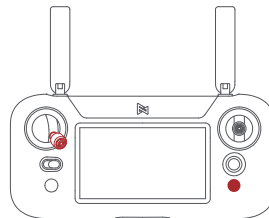
Right stick

- Slowly pull down the left stick to land the aircraft.
- Once the aircraft has landed, push and hold the left stick down over 5 seconds, the motor will stop.

Safety tips: The aircraft has no waterproof function. Do not land on the sea. Do not land on an inclined plane for safety.

3 Emergency stop of propeller

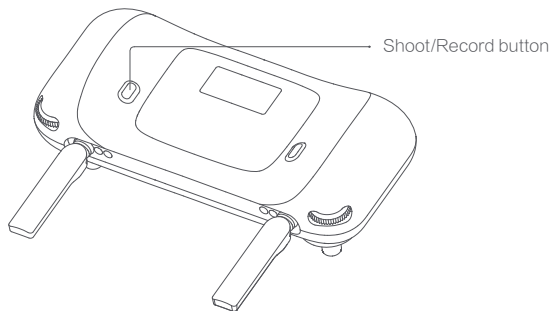
When motors can't properly turn off, please toggle the left stick to the bottom inner in maximum range, and tap return button of RC for 5 seconds simultaneously, the motors will stop.



Safety tips: Do not do the above operation during normal flight to avoid falling accidentally.

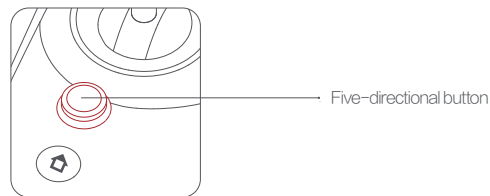
4 Shooting and recording

- Short press the shoot / record button to take a picture.
- Long press the shoot / record button to start recording. Long press again to stop recording.
- During recording, short press the shoot / record button to capture a picture.
- The pitch angle of the gimbal can be controlled by toggling the left dial up and down.
- The right dial defaults to adjust EV.



5 RC settings

- Toggle the five-dimensional button to the left to the settings menu.
- Toggle the five-directional button up and down to select the setting item, and press the center to enter the setting item.
- After setting completed, press the center to confirm. Toggle the five-directional button to the left to return to last level to set other items.
- Press the center key of the five-directional button key in the main interface to start/stop the remote controller screen recording.
- Toggle the five-directional button up to enter smart flight settings.
- Toggle the five-directional button down to enter camera parameters settings.



Safety Flight



Warm tips:

Fly only in open areas, and avoid people, animals, trees, vehicles and buildings. Keep away from airports, railways, highways, high-rises, electric wires and areas where drones are restricted. Keep away from telecommunication base stations, high-power antennas and areas with complex electromagnetic signals. Do not use this product in restricted areas. Be sure to read the Disclaimer and Safety Operation Instructions carefully.

Download

Please visit FIMI official website: www.fimi.com to watch tutorial videos or download firmware and product instructions.

Aircraft Indicators Recognition

| | Aircraft indicator | Aircraft status |
|---|--|--|
| 1 | All lights breathing | Self-checking |
| 2 | All lights on | Aircraft on the ground: self-check fails |
| | | Aircraft in the air: internal error |
| 3 | Two white lights on; Red and green lights flash at regular intervals | Ready to fly / Flying |
| 4 | All lights flash twice | Low battery alerts |
| 5 | All lights glaring | Battery is low, land as soon as possible |
| 6 | Two white lights flash | Aircraft firmware updating |